



22nd April 2004

Mr. Gord Haines

Section Manager
Technical Compliance
Ontario Power Generation
700 University Avenue
Toronto, Ontario, M5G 1X6

Dear Mr Haines:

***Crystal Falls SS & GS: Isolation of the T2 Step-up Transformer and the associated Metering
Notification of Approval of the Connection Proposal
CAA ID Number: 2004-EX195***

Thank you for the information provided on the proposed isolation of the T2 Step-up Transformer and its associated metering at Crystal Falls SS & GS. As shown in the attached Diagram, this work will entail locking both the 115kV disconnect T2-H and the 22kV disconnect T2A-A in the open position. Both disconnects will then be tagged.

Transformer T2 and its associated metering are then to be de-registered.

This work is to be completed as soon as possible.

Since the removal of the T2 step-up transformer will have no adverse impact on the IMO-controlled grid, the IMO is therefore pleased to grant **conditional approval** for this work, subject to satisfying any requirements for de-registering the isolated facilities.

Please contact facility.registration@theIMO.com if you have not received a Facility Registration Summary package within the next 10 days.

For further information, please contact the undersigned.

Yours truly,

Bob Gibbons

Manager – Long Term Forecasts & Assessments

Telephone: (905) 855-6482 Fax: (905) 855-6129 E-mail: bob.gibbons@theimo.com

cc: IMO BIRM

Mr Mel Yates, Hydro One Networks Inc.

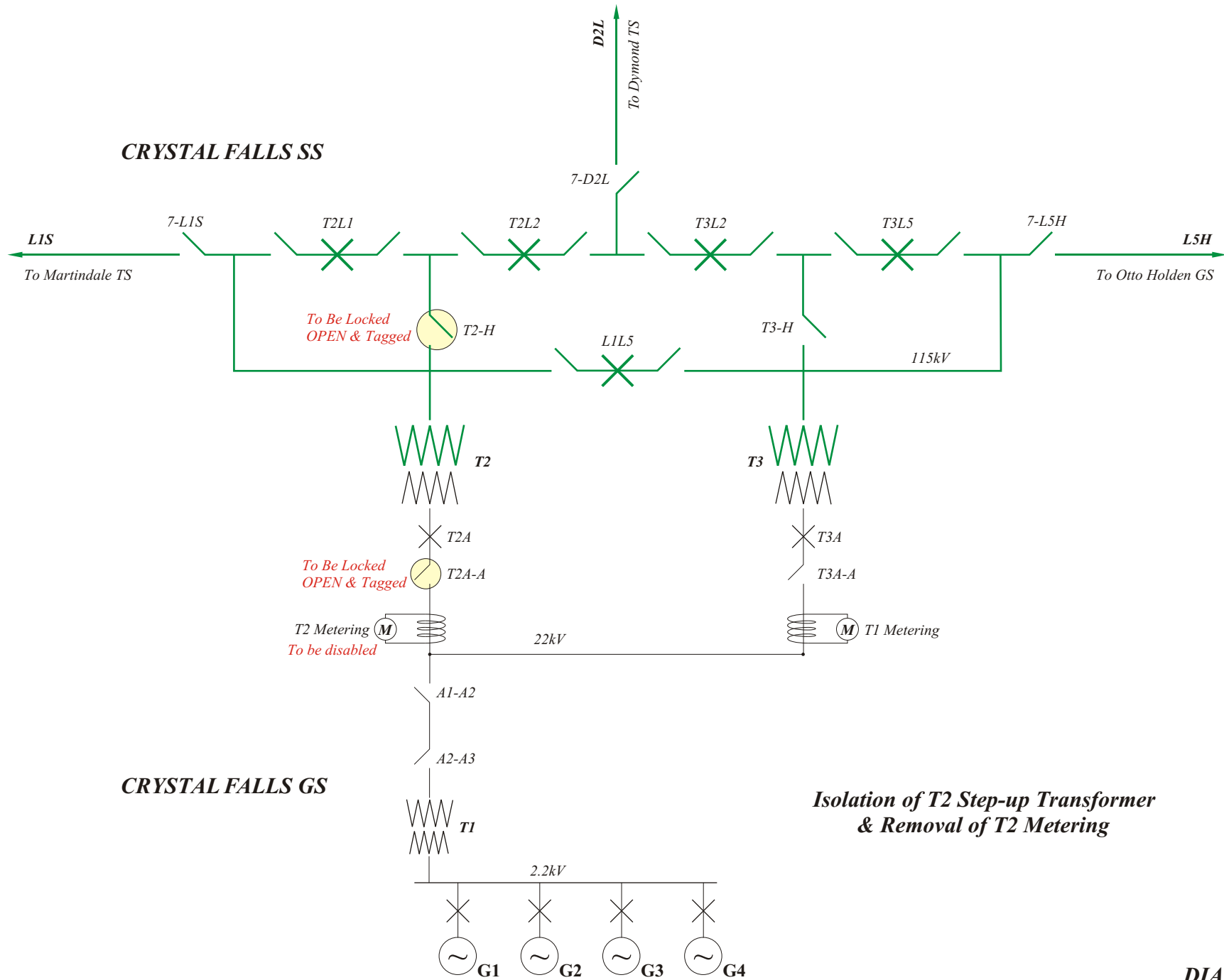
Mr Terry Trebilcock, Hydro One Networks Inc.

Mr Louis Ingratta, OPG, EP Central Office, Niagara

All information submitted in this process will be used by the IMO solely in support of its obligations under the *Electricity Act, 1998*, the *Ontario Energy Board Act, 1998*, the *Market Rules* and associated policies, standards and procedures and in accordance with its licence. All information submitted will be assigned the appropriate confidentiality level upon receipt.

655 Bay Street, Suite 410, P.O. Box 1, Toronto ON M5G 2K4 Canada tel 905.403.6900 toll free 1.888.448.7777 fax 905.403.6129
www.theIMO.com – helpcentre@theIMO.com

Confidential



**Isolation of T2 Step-up Transformer
& Removal of T2 Metering**

DIAGRAM 1

21st April 2004