



# **CONNECTION ASSESSMENT & APPROVAL PROCESS**

## ***ASSESSMENT SUMMARY***

*Applicant: Hydro One Networks Inc.*

*Project: Merivale TS - Replace 115kV Disconnect Switches*

*CAA ID No. 2003-EX151*

***Long Term Forecasts & Assessments Department  
Consistent Information Set Department***

*Date: 25th August 2003*

## ASSESSMENT SUMMARY

### HYDRO ONE NETWORKS Inc.

#### *MERIVALE TS - Replace Existing 115kV Disconnect Switches*

##### **1.0 GENERAL DESCRIPTION**

The following 115kV disconnect switches at Merivale TS are to be replaced with new units, with ratings as indicated. The individual switches have also been identified in the attached Diagram:

Operating Designation	Voltage Class	Short-circuit Withstand Capability (1-second)	Continuous Current Rating
AL4-L	138kV	63kA symmetrical	2000A
AL5-L			
AL12-L			
D1L4-1			
D1L4-4			
D1L10-1			
D1L10-10			
L3LT22-3			

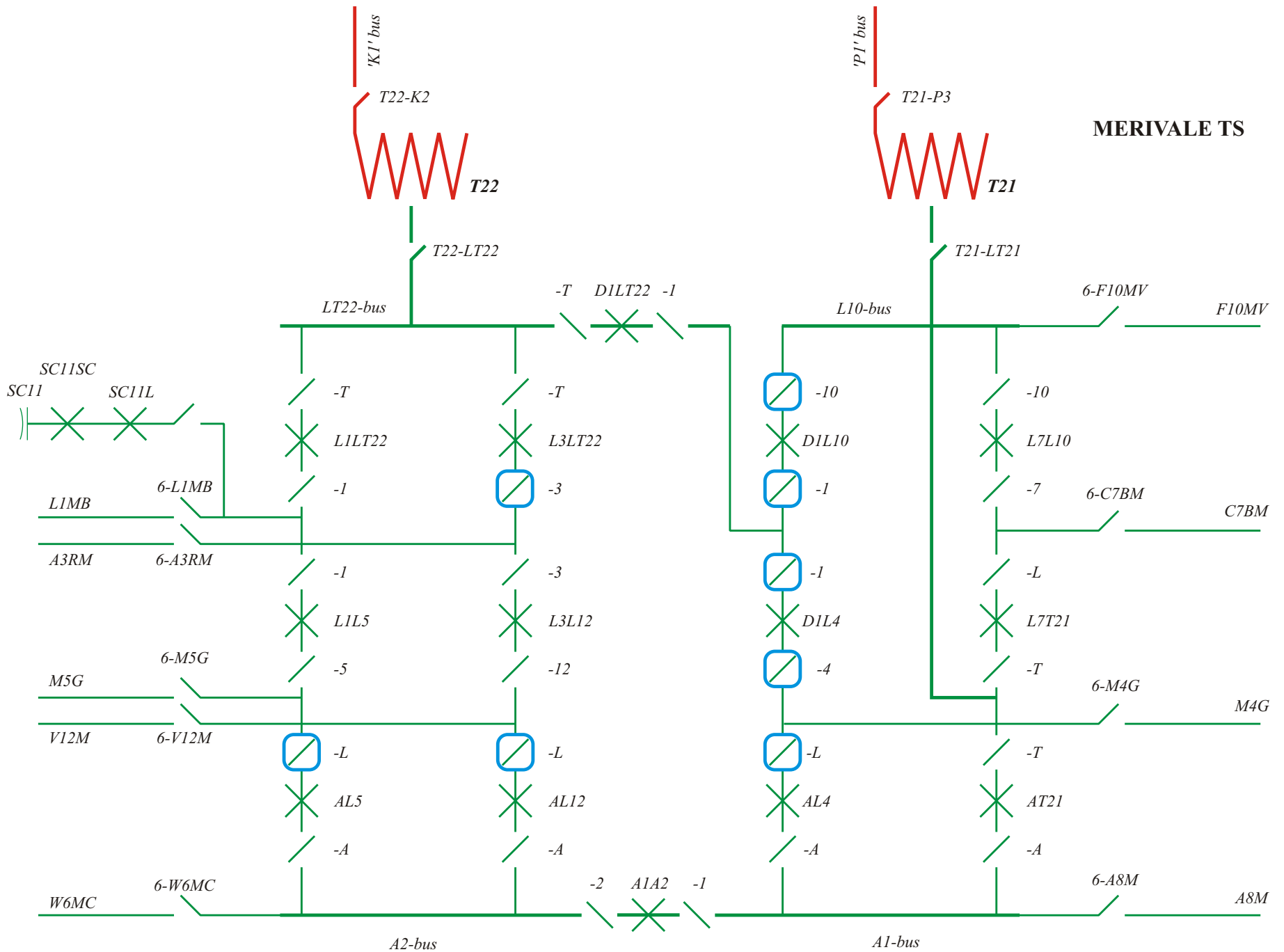
This work is scheduled to be completed during Q3-2003.

##### **2.0 ASSESSMENT**

The replacement disconnect switches are a like-for-like exchange and will therefore have no adverse impact on the IMO-controlled grid.

##### **3.0 NOTIFICATION OF APPROVAL**

It is therefore recommended that a Notification of Approval of the Connection Proposal be issued.



**MERIVALE TS**

**DIAGRAM 1**

21st August 2003