



# **CONNECTION ASSESSMENT & APPROVAL PROCESS ASSESSMENT SUMMARY**

**Applicant: Hydro One Networks Inc.**

**Project: Sarnia St. Andrews TS – Replacement of  
Transformer T4 LV Breaker**

**CAA ID: 2002-EX052**

**Long Term Forecasts & Assessments Department**

**Date: August 15, 2002**

## Assessment Summary

### Hydro One Networks Inc.

#### Sarnia St. Andrews TS – Replacement of Transformer T4 LV Breaker

---

## 1.0 Description of Proposal

Hydro One Networks Inc. continuously assesses its current transmission and distribution assets to ensure that its transmission and distribution systems are performing at an acceptable level, are in compliance with any regulatory standards, and are capable of meeting its customers current and future needs. Hydro One Networks Inc. has identified and included in its '2002 Stations and Lines Sustainment Program' facilities that have to be refurbished or replaced.

One of the projects included in the sustainment program is the replacement of the low voltage transformer breaker T4Q at Sarnia St. Andrews TS, which is a 115-34.5kV DESN station supplied from Sarnia Scott TS. The proposal is to replace the existing 34.5kV oil circuit breaker T4Q with a similar circuit breaker that has been refurbished. Location of breaker T4Q is shown in Diagram 1. There will not be any modification to other facilities or the protection system at the station.

The replacement circuit breaker is rated as follows:

Rated Voltage: 34.5kV

Continuous current carrying capacity: 3,000 Amp

Short circuit capability: 1000 MVA Asymmetric

## 2.0 Assessment

The intent of this proposal is to bring facilities at Sarnia St. Andrews TS up to acceptable operating conditions. This proposal is essentially a like-for-like replacement of existing facilities and will have no adverse impact on the IMO controlled grid.

## 3.0 Notification of Approval

Based on the above assessment, it is recommended that a Notification of Approval for this proposal be issued to the applicant.

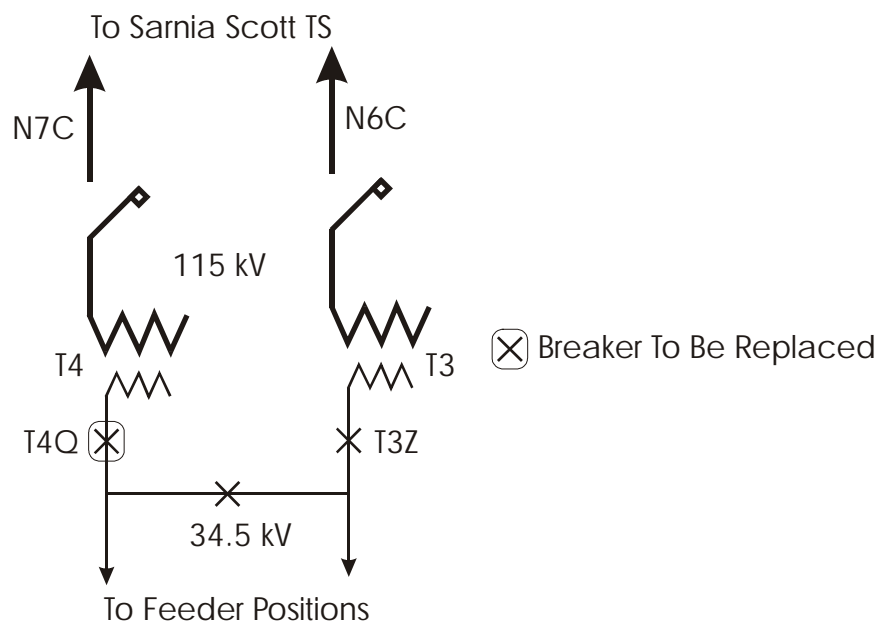


Diagram 1 - Sarnia St. Andrews TS